

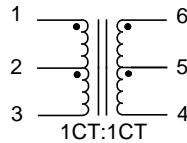
## EPR1621GE

- Designed for TDK 78P2253 Transceiver •
- 1500 Vrms Isolation •
- Operating Temperature -40°C to +85°C •

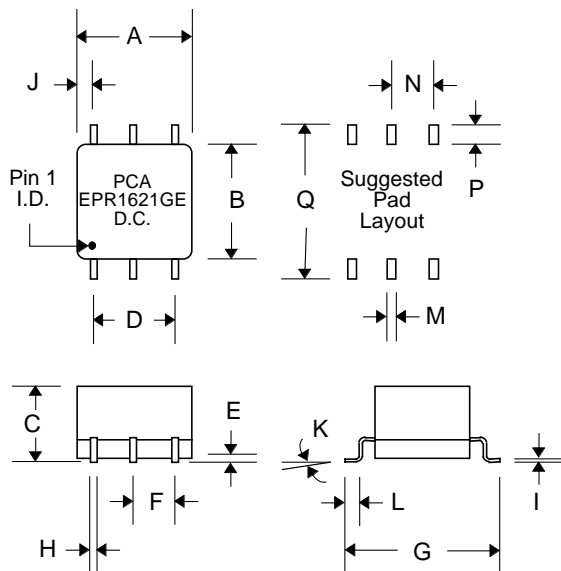
### Electrical Parameters @ 25° C

Primary Inductance ( $\mu$ H Min.)	Return Loss (dB Typ.)		Bandwidth (MHz)	DCR ( $\Omega$ Max.)
36	-15	-20	0.1 - 400	0.30
Pins 1-3/6-8	1 MHz - 320 MHz	5 MHz - 100 MHz		

### Schematic



### Package



### Dimensions

Dim.	(Inches)			(millimeters)		
	Min.	Max.	Nom.	Min.	Max.	Nom.
A	.310	.330	.320	7.87	8.38	8.13
B	.260	.280	.270	6.60	7.11	6.86
C	.205	.225	.215	5.21	5.72	5.46
D	---	---	.200	---	---	5.08
E	.010	.015	.013	.254	.381	.330
F	---	---	.100	---	---	2.54
G	.355	.375	.365	9.02	9.53	9.27
H	.016	.022	.018	.406	.559	.457
I	.008	.013	.010	.203	.330	.254
J	---	---	.060	---	---	1.52
K	0°	8°	4°	0°	8°	4°
L	.025	.045	.035	.635	1.14	.889
M	---	---	.030	---	---	.762
N	---	---	.100	---	---	2.54
P	---	---	.092	---	---	2.34
Q	---	---	.460	---	---	11.68